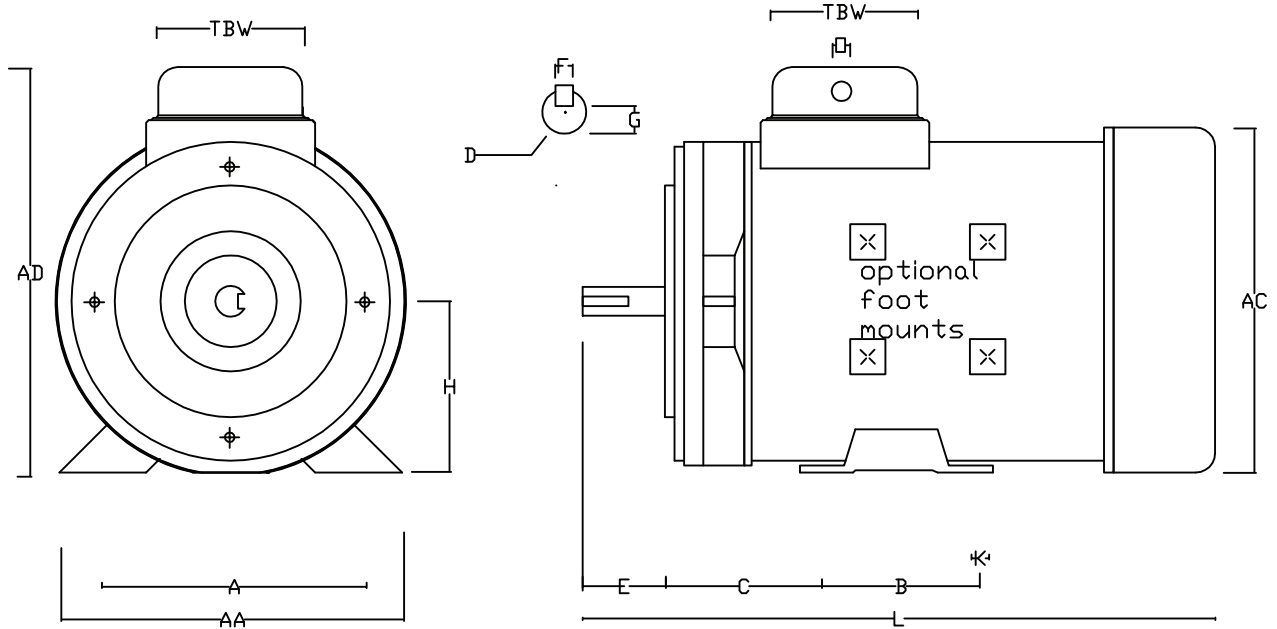


Metric Motor Dimensions

FRAME	L	AC	O	AA	B	A	H	AD	K	C	D	E	G	F	TBW
71	255	145	1xM20	132	90	112	71	188	7	45	14	30	11	5	94
80	290	165	1xM20	160	100	125	80	217	10	50	19	40	15.5	6	105
90S	310	185	1xM20	175	100	140	90	235	10	56	24	50	20	8	105
90L1	335	185	1xM20	175	125	140	90	235	10	56	24	50	20	8	105
90L2	365	185	1xM20	175	125	140	90	235	10	56	24	50	20	8	105
100	386	205	1xM20	196	140	160	100	252	12	63	28	60	24	8	105



Imperial Drip Proof

PART NUMBER	C	D	E	F
56TT140-SP-560	11.4"	0	6.41"	5.63"
56TT140-SP-375	11.4"	0	6.41"	5.63"

